

T18-102 HD

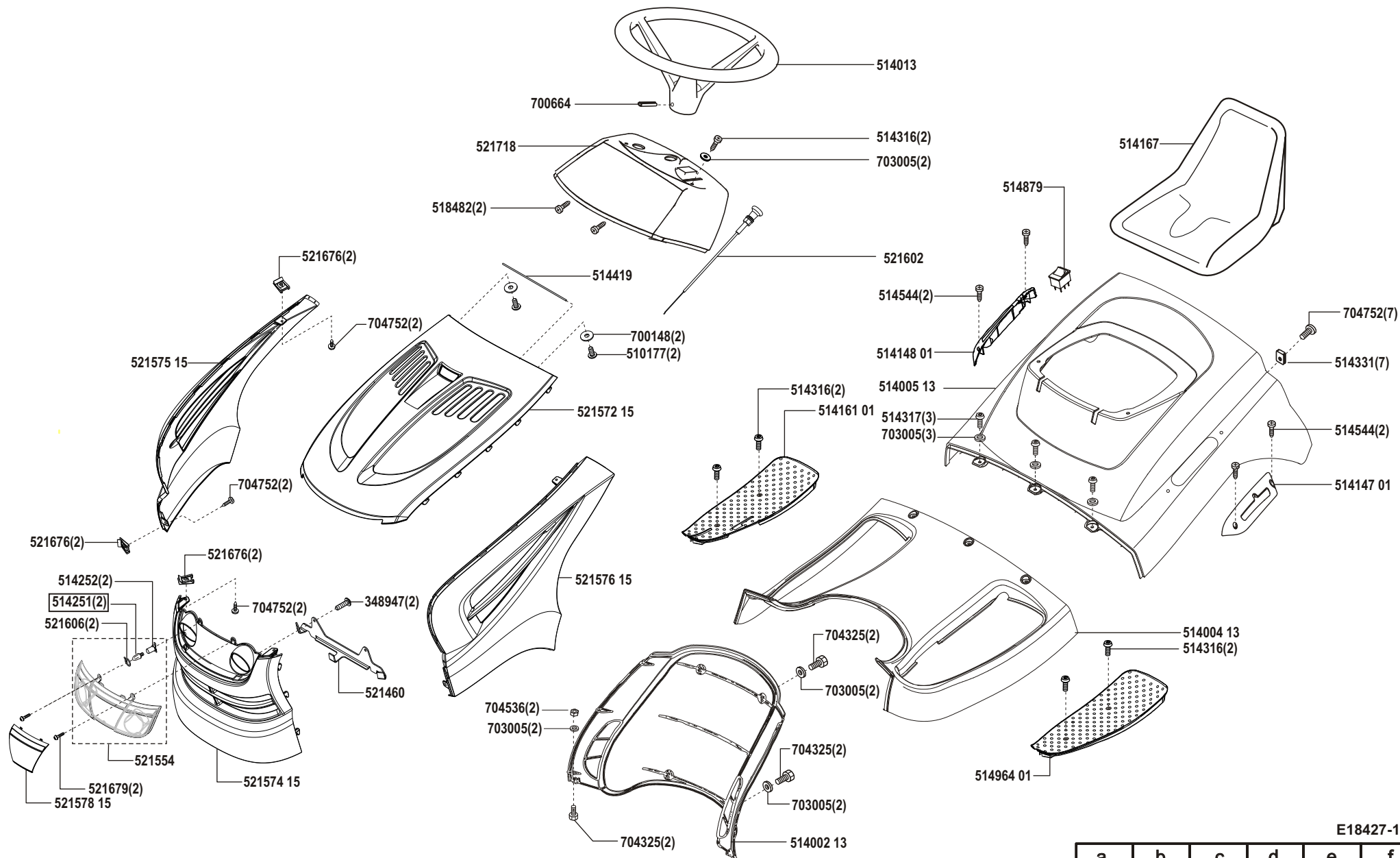
Art. Nr. 118427



HIDROSTATIC

TWIN

2000



E18427-1

a	b	c	d	e	f
03/03					

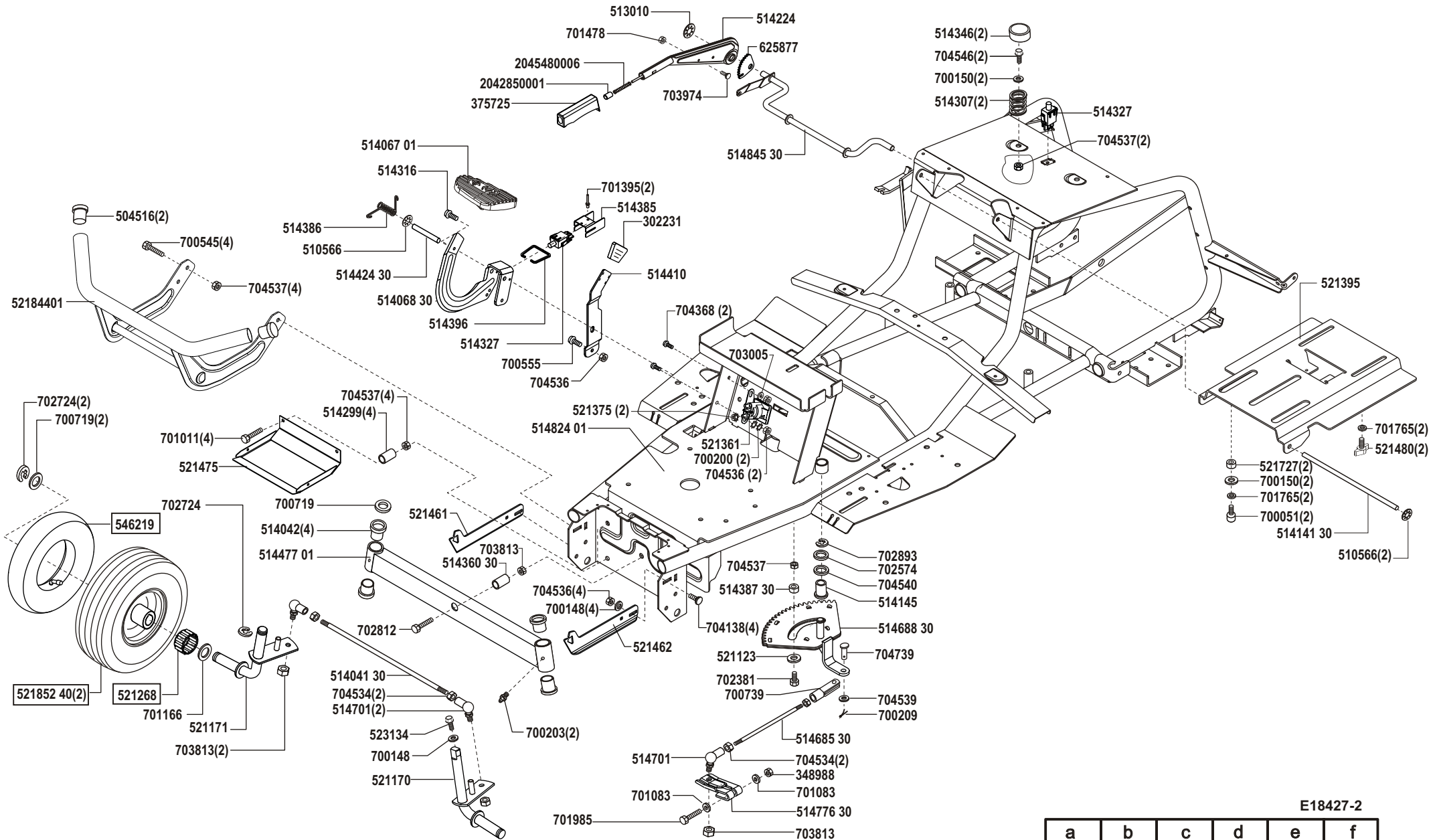
T18-102 HD

Art. Nr. 118427

HIDROSTATIC

TWIN

2000



E18427-2

a	b	c	d	e	f
---	---	---	---	---	---

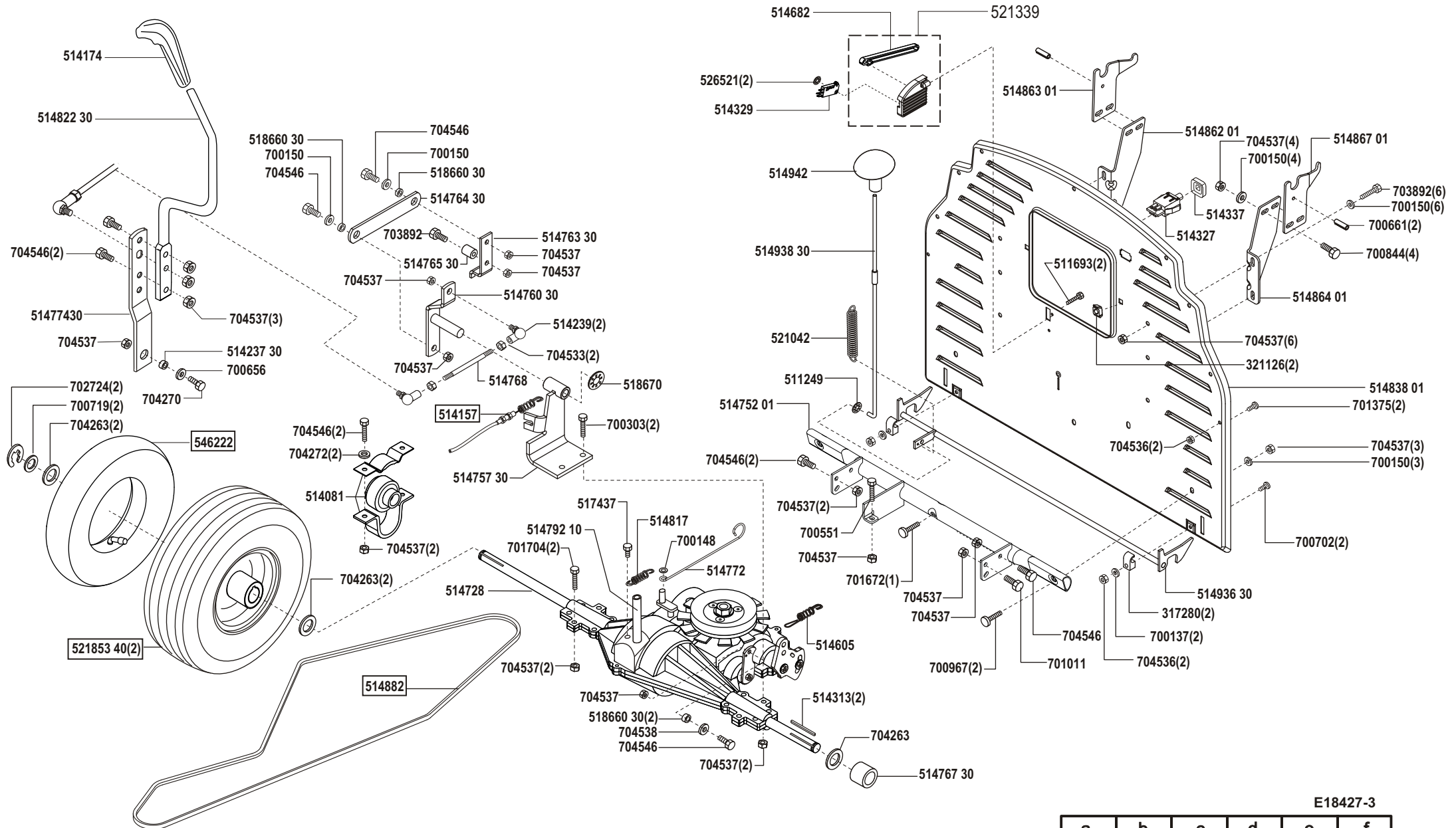
T18-102 HD

Art. Nr. 118427

HIDROSTATIC

TWIN

2000



E18427-3

a	b	c	d	e	f
---	---	---	---	---	---

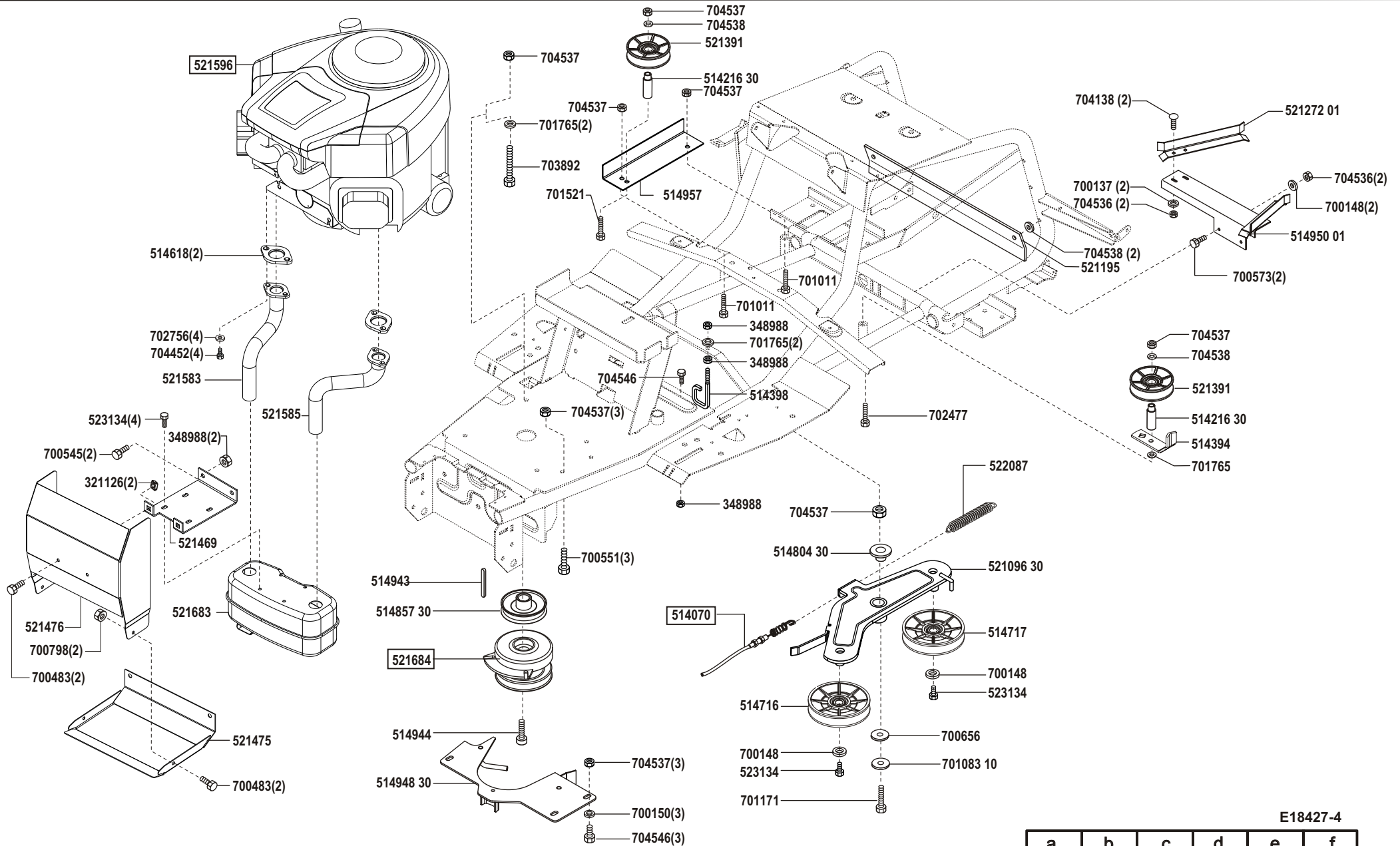
T18-102 HD

Art. Nr. 118427

HIDROSTATIC

TWIN

2000



E18427-4

a	b	c	d	e	f
---	---	---	---	---	---

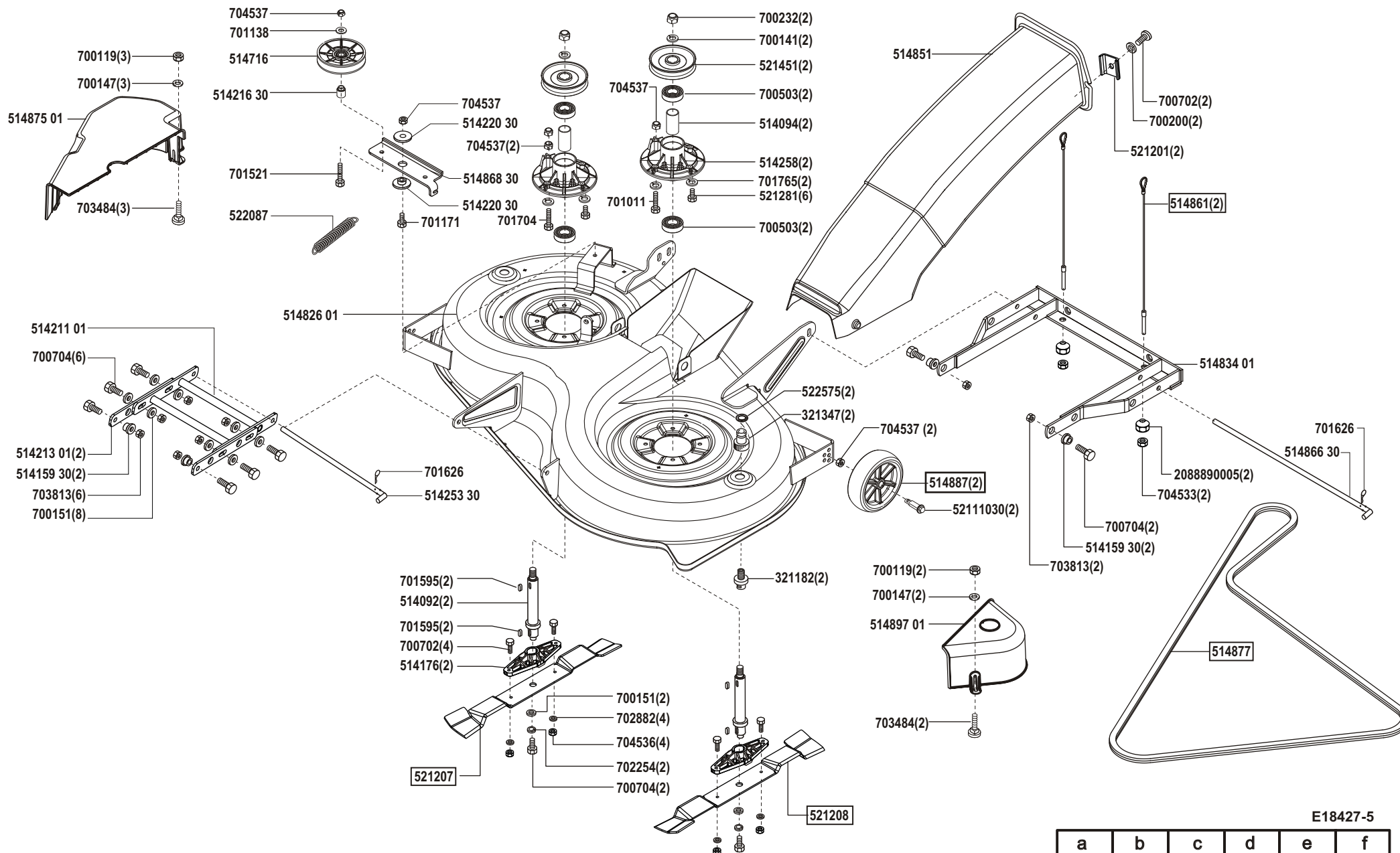
T18-102 HD

Art. Nr. 118427

HIDROSTATIC

TWIN

2000



E18427-5

a	b	c	d	e	f
---	---	---	---	---	---

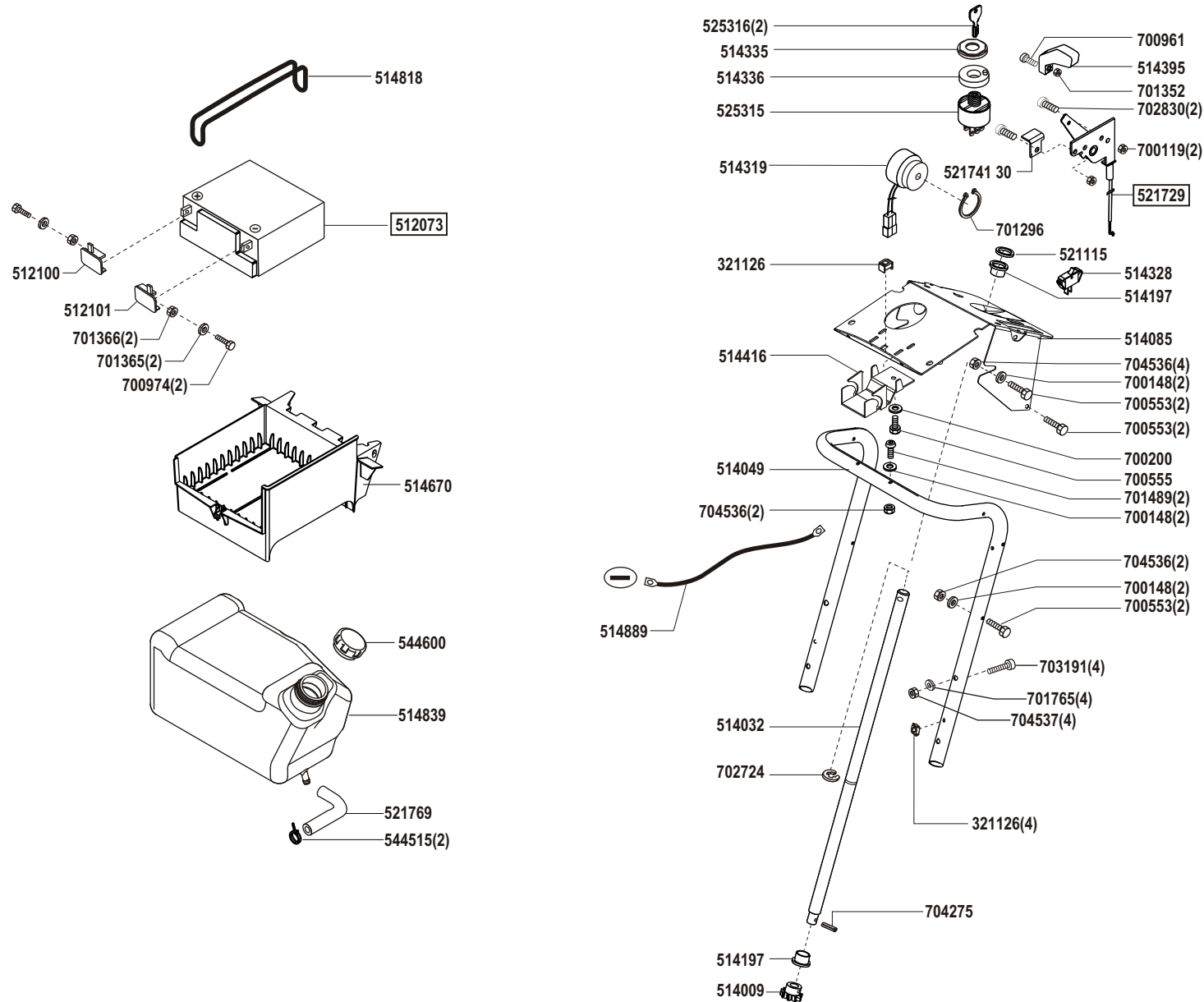
T18-102 HD

Art. Nr. 118427

HIDROSTATIC

TWIN

2000



E18427-6

a	b	c	d	e	f
---	---	---	---	---	---

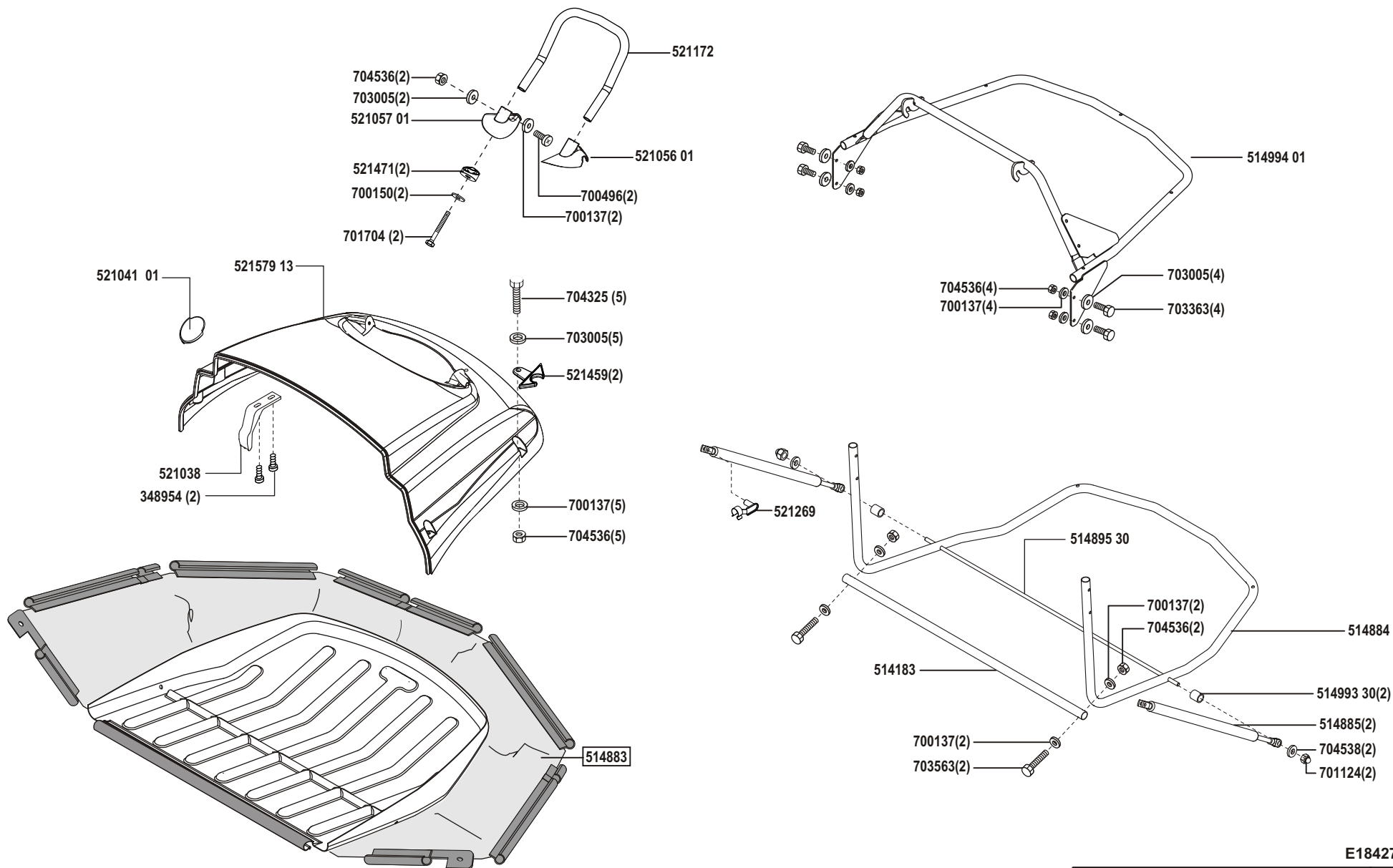
T18-102 HD

Art. Nr. 118427

HIDROSTATIC

TWIN

2000



E18427-7

a	b	c	d	e	f
---	---	---	---	---	---

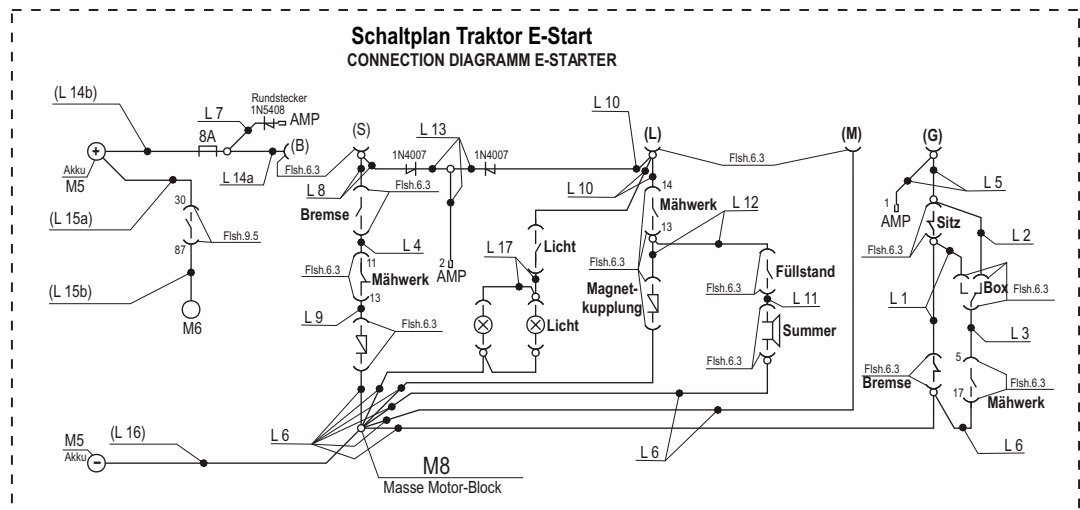
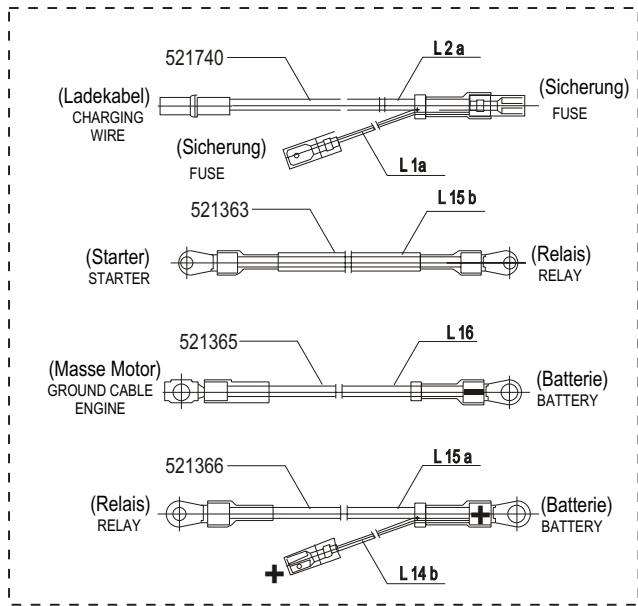
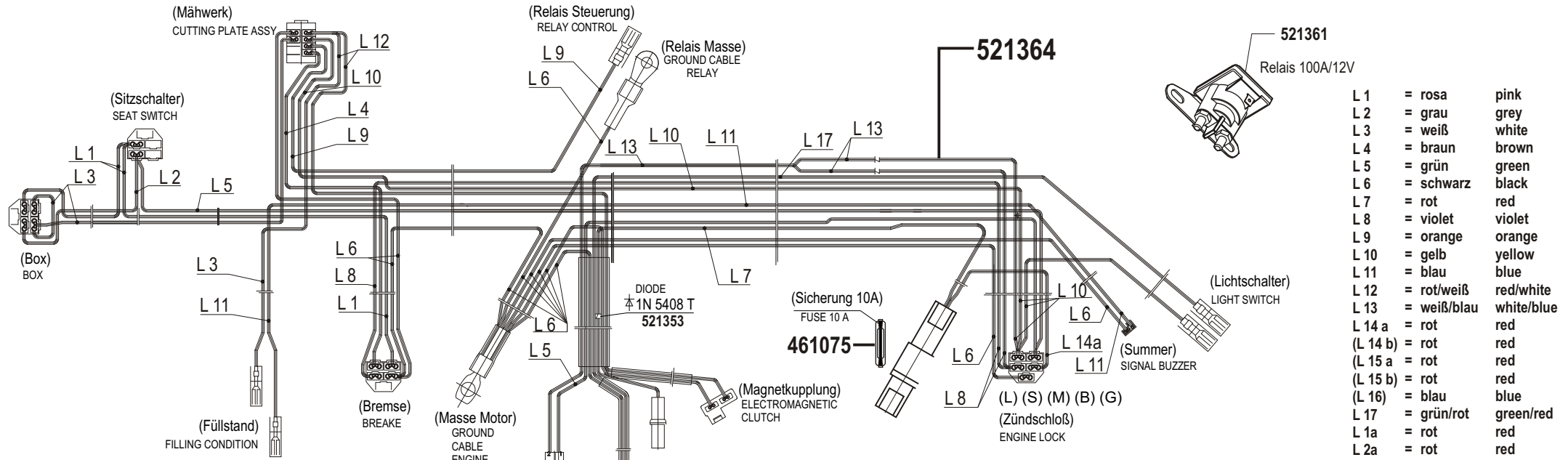
T18-102 HD

Art. Nr. 118427

HIDROSTATIC

TWIN

2000



E18427-8

a	b	c	d	e	f
---	---	---	---	---	---